

HORIZON Projector

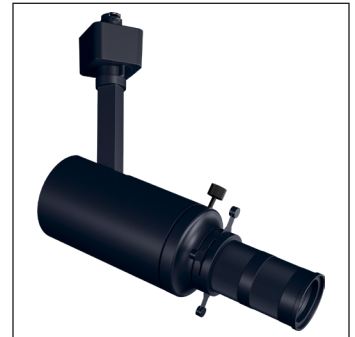
HORIZON Adjustable Framing Spotlight, High Output Track Lighting



Job Information	
Project Name	
Type	
Location	
Quantity	
Date	

Description

Architectural-grade LED track fixture delivering exceptional white light quality and visual consistency. Engineered for superior color performance with CRI 90+, ensuring accurate and vibrant illumination. Features field-changeable optics, including precision TIR lenses and framing projector/GOBO-compatible accessories, providing maximum flexibility for beam control and design adaptability. Also available in matching cylinder, pendant, and surface mount versions for a cohesive lighting aesthetic across applications.



Features

Body

Constructed from aluminum, this LED track fixture features an aesthetically pleasing smooth cylindrical shape.

Available in 2700 K, 3000 K, 3500 K and 4000 K correlated color temperature.

hospitality, gallery, and architectural applications requiring flexibility, visual impact, and refined light control.

Dimming

The track fixture is dimmable when used with compatible dimmable driver (Consult factory for compatible drivers and dimmers).

Mounting

This LED fixture is designed to be simple and convenient, with Multiple mounting options for various applications: track, track pendant, Monopoint and pendant.

Adjustability

Adjustable up to 135° tilt and 355° rotation to allow for spotlight into multiple directions.

Framing Projector Adapter (GOBO Compatible)

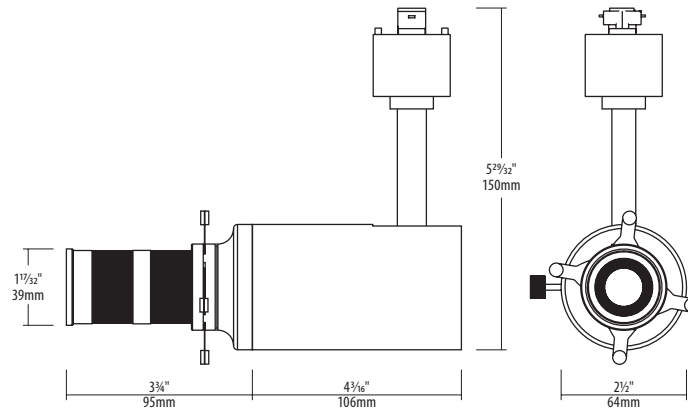
Field-installable framing projector adapter designed to provide precise beam shaping and pattern projection for enhanced lighting control. Features adjustable shutters for clean, sharp beam cuts and is compatible with custom-made GOBO lenses for projecting logos, graphics, or architectural details. Ideal for retail,

LED Characteristics

Efficient LED chip maintains uniform intensity with a typical luminous flux up to 1500 lumens, with a typical CRI of 90.

SPECIFICATION	
Approved Location	Dry / Indoor
Application	Track
Certification	cETLus
Beam Spread	20° - 30°
Color Temperature	2700 K / 3000 K / 3500 K / 4000 K
CRI	90
Dimmable	Yes
Lumens	Up to 1500
Lumens per Watt	Up to 100
TM-30 Annex E	P2 / V- / F3
Voltage	120V
Wattage	15W

Technical Drawings



Ordering Guide

Connect Type	Color Temperature	Mounting Type	Filter Option	Fixture Finish	ROD Length ¹
<input type="text"/>	-HZ15- <input type="text"/>	NN <input type="text"/>	F <input type="text"/>	<input type="text"/>	<input type="text"/>
Leave blank for non-Track A : A-Line H : H-Style L : L-Style LL : Liteline (TK Track) P2 : 2-Circuit Powergear P3 : 3-Circuit Powergear	27 : 2700 K 30 : 3000 K 35 : 3500 K 40 : 4000 K	T : Track TP : Track Pendant M : Monopoint P : Pendant	N : No filter G : GOBO Custom lens ²	B : Black W : White	Leave blank for No Rod 12 : 12" 24 : 24" 36 : 36" 48 : 48"

Notes:
¹ Track Pendant standard wire length is 48". ² For 2-color accessories are sold separately. For additional options please consult your A-Line representative. Due to our continued efforts to improve our products, product specifications are subject to change without notice.

GOBO Options



HZ15-GOBO-1C

GOBO Insert for Horizon Projector,
Monochrome



HZ15-GOBO-2C

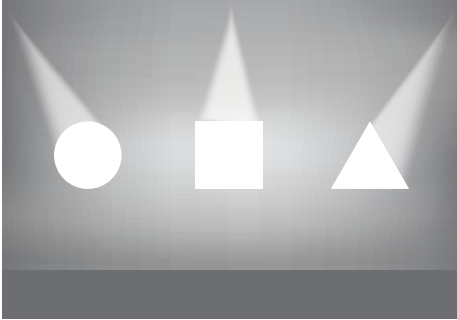
GOBO Insert for Horizon Projector, Two
Color



HZ15-GOBO-FC

GOBO Insert for Horizon Projector, Full
Color

Installation Advice



Lamp to Wall

	1M	2M	3M
	Min : ø40cm Max : ø60cm	Min : ø80cm Max : ø120cm	Min : ø120cm Max : ø180cm
	Min : ø28cm Max : ø42cm	Min : ø56cm Max : ø84cm	Min : ø84cm Max : ø126cm